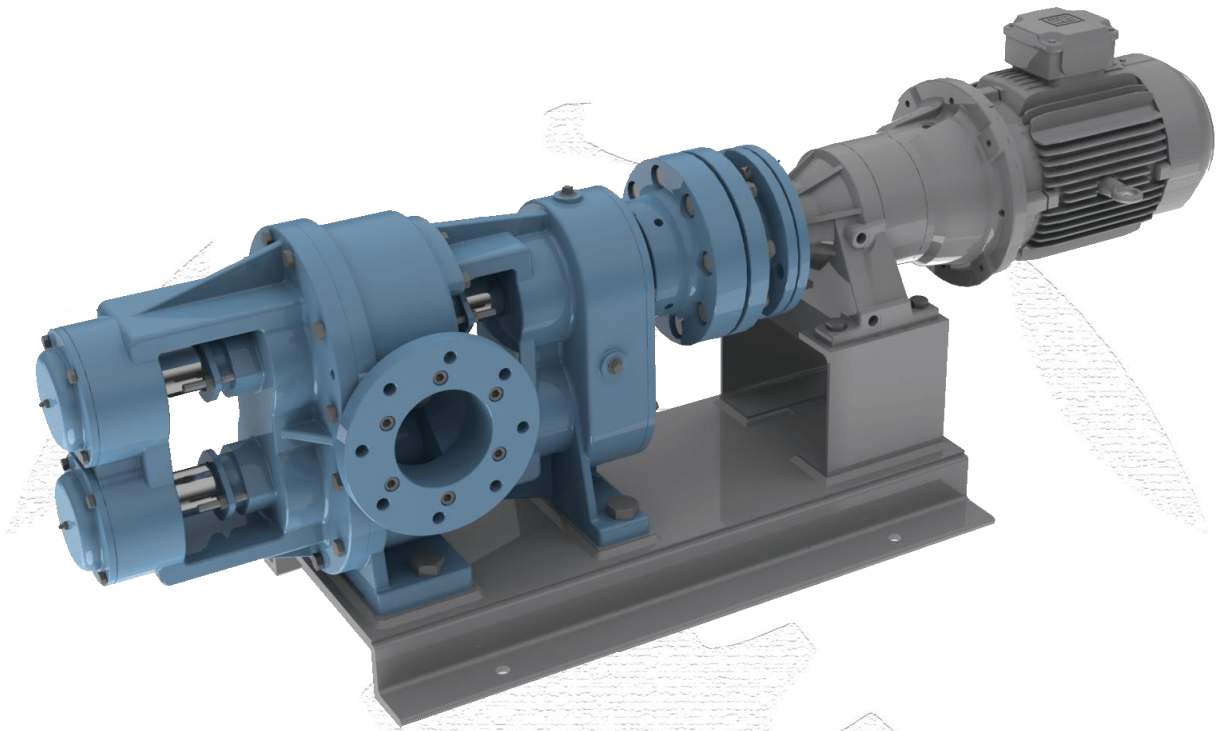




ROTARY LOBE PUMPS

MODEL: RP5 ROTOPUMP



OVERVIEW:

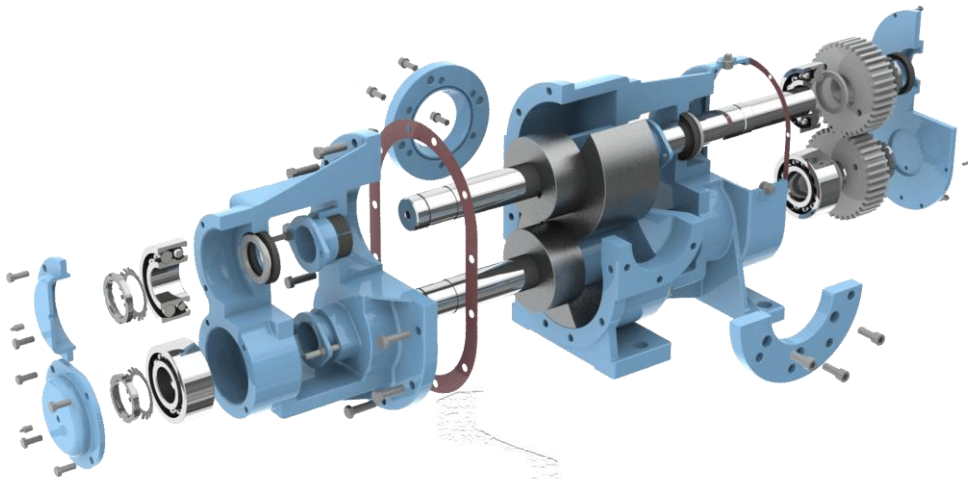
The RP5 is a heavy duty rotary positive displacement lobe pump for handling a wide range of viscous and semi-solid materials.

Non-contacting, non-meshing lobes give large volumetric displacement allowing low operating speed with quiet performance, less agitation of pumped material and low maintenance.

RP5 Rotopumps are supplied ready to go on a sturdy galvanized base. We use premium quality WEG drives and Bonfiglioli planetary transmissions mated to NEC shearpin couplings (to protect against damage from tramp metal and large foreign objects.)

KEY FEATURES:

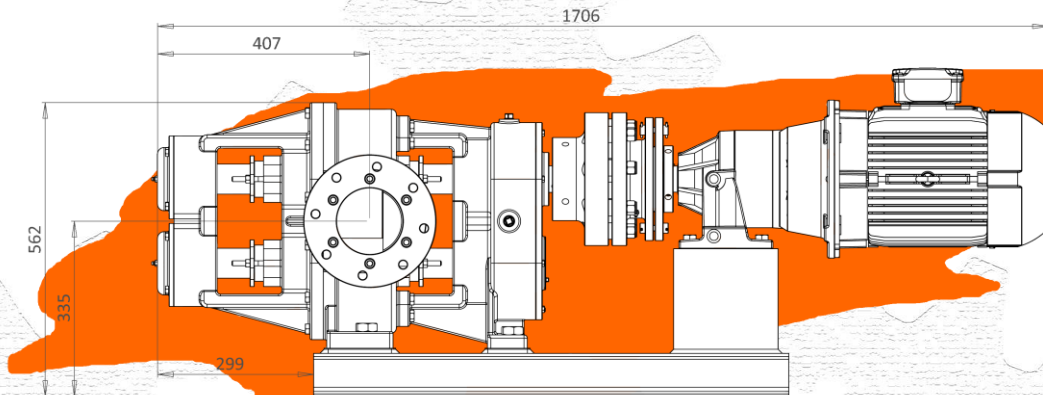
- Interchangeable 5" or 4" inlet / outlet flanges
- Typical pumping capacity of 5,000 – 7,000kg per hour
- Can be run dry without damage
- Case Hardened Gear set, in a separate oil bathed housing
- Isolated Bearings, removed from processing chamber and foreign matter intrusion
- 316 Stainless internal components



APPLICATIONS:

Developed primarily for the meat processing industry, the RP5 Rotopump is ideal for handling:

- Washed or unwashed soft cut offals (cattle, sheep, pig etc.)
- Whole sheep or lamb paunches and runner sets
- Crushed bone, raw and cooked blood
- Effluent with solids



SPECIFICATIONS:

Max. Flowrate	Up to 7,000 kg per hour in soft / low viscosity materials
Max Fluid Temperature	Upwards of 250 ^o C
Port Size	Inlet, 5" Table C. Outlet, 4" Table C flanges (Interchangeable left to right)
Construction Materials	Shafts & internal components in 316 grade stainless, lobes in Cast S.G. Iron
Standard Drive	WEG 7.5kw 4 pole IE90 drive
Standard Transmission	Bonfiglioli, output @ 100rpm
Protection	Supplied with a shearpin coupling to protect from damaging foreign objects

